



**THE WILLIAMS  
BROTHERS  
CORPORATION**

## WB-RDW RECESSED DRYWALL ACCESS DOOR

The WB-RDW Access Door features a 5/8" recessed pan that gives the option of installing a matching piece of drywall into the door panel, keeping the continuity of the visual area. The outdoor frame has a tape-in flange so that the unit may be cemented in place at the time of installation.

### FEATURES

<b>Door and Trim</b>	16 ga. cold rolled steel. Door is recessed 5/8" to accept drywall.
<b>Frame</b>	16 ga. cold rolled steel. 1" wide perforated 24 ga. galvanized steel for mounting purposes.
<b>Hinge</b>	Fully concealed rod type hinge, will be placed on long side of door unless otherwise requested.
<b>Latch</b>	Flush, stainless steel cam operated with screwdriver. Latches are positioned opposite hinge as well as top and bottom on larger sizes.
<b>Finish</b>	White powder coat paintable finish
<b>Options (at extra cost)</b>	<ul style="list-style-type: none"> <li>• Medium barrel cylinder lock with key (code 151)</li> <li>• Drywall with door</li> <li>• Air-tight neoprene gasketing</li> </ul>

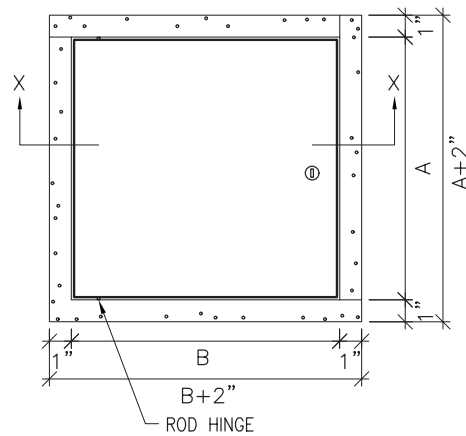
Model No.	A x B Door Size	Hinges	Cam Latch	Shipping Weight (Lbs) Steel/Stainless
WB-RDW 12x12	12" x 12"	1	1	6
WB-RDW 12x24	12" x 24"	1	4	13
WB-RDW 16x16	16" x 16"	1	3	12
WB-RDW 18x18	18" x 18"	1	3	13
WB-RDW 24x24	24" x 24"	1	4	21
WB-RDW 24x36	24" x 36"	1	5	32

Rough wall opening = door size + 1/4"

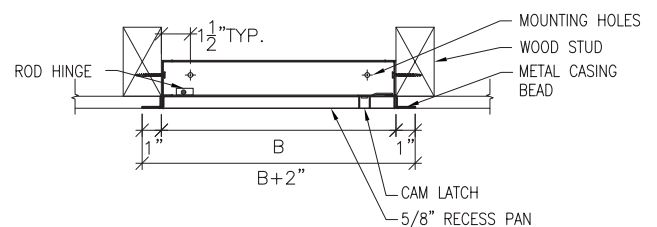


WB-RDW

### DIMENSIONS



Elevation



Section Detail