



WB-NTG TRIMLESS GYPSUM ACCESS DOOR

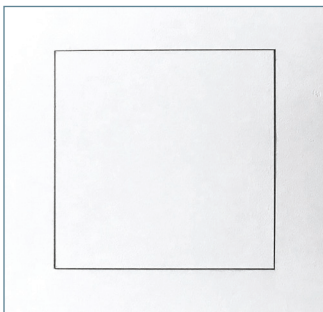
The WB-NTG Trimless Gypsum Access Door is a high quality access door designed to be as invisible as possible while maintaining an architecturally pleasing appearance. The door is supplied with moisture resistant 5/8" drywall and recessed to allow for finishing of wall or ceiling surface. A safety chain is installed on the door and frame. Brush gasket minimizes debris and air infiltration.

FEATURES

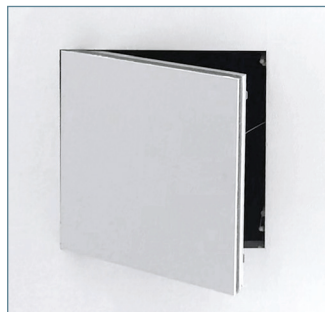
Door and Trim	.080 aluminum extrusion with 5/8" drywall inserted into door panel and brush gasket
Frame	.080 aluminum extrusion (1/2" & 5/8" available)
Hinge	Pivot Type - allows for door removal
Latch	Push to open
Finish	Mill finish

Model No.	Frame Size (w x h)	Weight (lbs) w/o gypsum
WB-NTG 8x8	8" x 8"	1
WB-NTG 12x12	12" x 12"	2
WB-NTG 16x16	16" x 16"	5
WB-NTG 18x18	18" x 18"	6
WB-NTG 20x20	20" x 20"	8
WB-NTG 24x24	24" x 24"	12
WB-NTG 36x36	36" x 36"	18

Allow 1/2" around frame for installation

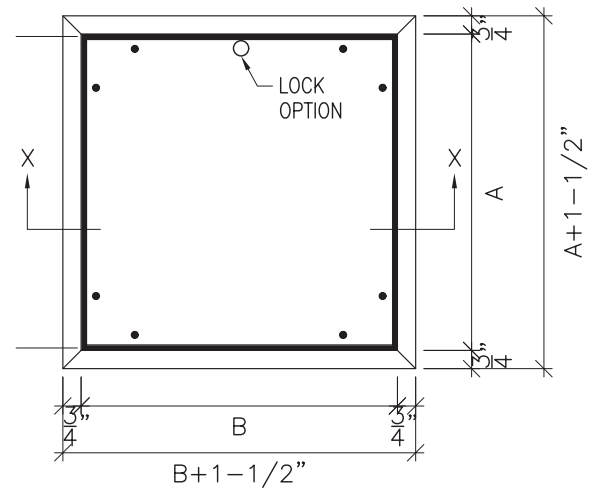


Ceiling view

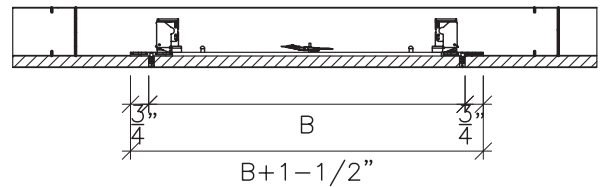


WB-NTG

DIMENSIONS



Elevation



Section Detail