



**THE WILLIAMS
BROTHERS
CORPORATION**

WB-UAD UTILITY ACCESS DOOR

The WB-UAD Utility Access Door is an innovative, cost-effective access door. This door is laser cut from 16-gauge cold rolled steel and of uniweld construction which allows for an aesthetically pleasing appearance and square fit for wall and ceiling applications. This door features a spring-loaded pin hinge which allows the door panel to be removed.

FEATURES

Door and Trim	16 ga. cold rolled steel. Trim 1 3/4" wide
Return Frame	16 ga. cold rolled steel. Depth of 1 3/4"
Hinge	Spring pin hinge*
Latch	Flush, stainless steel cam operated with screwdriver. Latches are positioned opposite hinge as well as top and bottom on larger sizes.
Finish	White powder coat paintable finish
Options (at extra cost)	<ul style="list-style-type: none"> Tamper Proof Cams, Hex, Torx Pin screw assembly Key cylinder lock with key (code 151) Mortise Lock Preparation Stainless Steel #304 or #316 (#4 satin finish) Galvanized/Zinc Coating Finish

* Piano hinge on doors larger than 24" x 24"

Model No.	A x B Door Size	Cam Latch	Shipping Weight (Lbs) Steel/Stainless
WB-UAD 6x6	6" x 6"	1	2.5
WB-UAD 8x8	8" x 8"	1	3.5
WB-UAD 8x12	8" x 12"	1	5
WB-UAD 10x10	10" x 10"	1	5
WB-UAD 12x12	12" x 12"	1	6
WB-UAD 14x14	14" x 14"	3	7.5
WB-UAD 16x16	16" x 16"	3	9
WB-UAD 18x18	18" x 18"	3	11
WB-UAD 18x24	18" x 24"	3	13
WB-UAD 20x20	20" x 20"	3	19
WB-UAD 22x22	22" x 22"	4	21
WB-UAD 22x30	22" x 30"	4	27
WB-UAD 22x36	22" x 36"	5	30
WB-UAD 24x24	24" x 24"	4	24
WB-UAD 24x30	24" x 30"	4	28
WB-UAD 24x36	24" x 36"	5	32
WB-UAD 24x48	24" x 48"	6	40
WB-UAD 30x30	30" x 30"	6	34
WB-UAD 36x36	36" x 36"	9	45

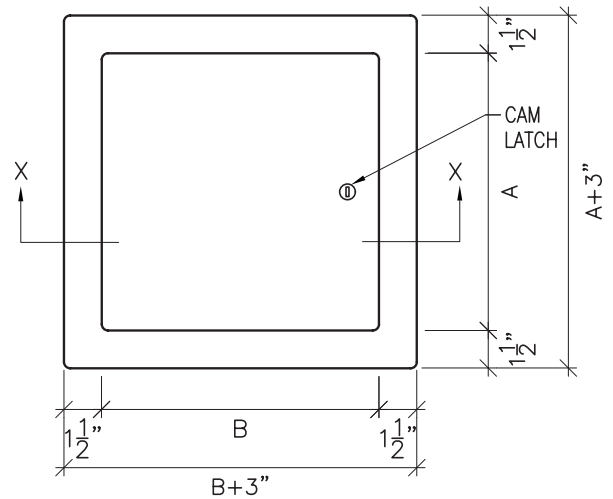
Rough wall opening = door size + 1/8"

approval required

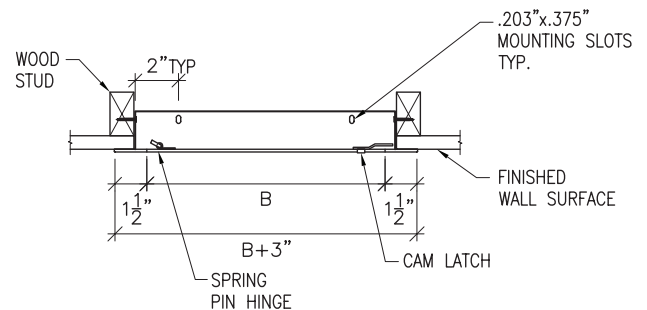


WB-UAD

DIMENSIONS



Elevation



Section Detail