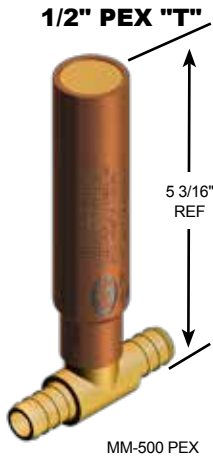




Precision Plumbing Products
"Specify with Confidence - Install with Pride"

**MINI - MAX
 "AA" WATER HAMMER ARRESTOR**

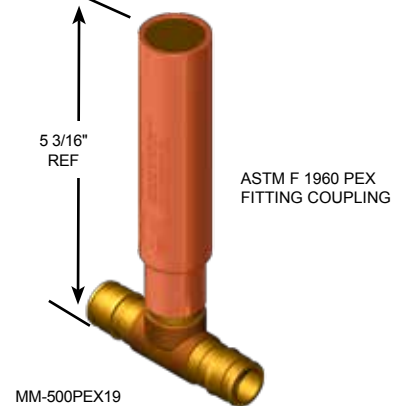
www.pppinc.net



LEAD FREE



UPONOR MINI ADAPTER

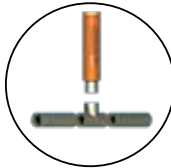


LEAD FREE

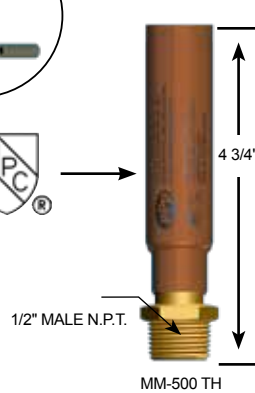
1/2" CPVC FITTING



LEAD FREE

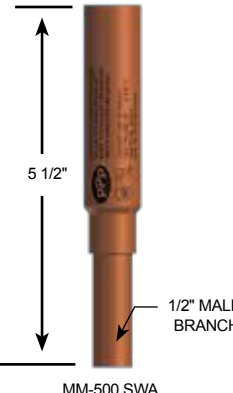


1/2" MIP MINI

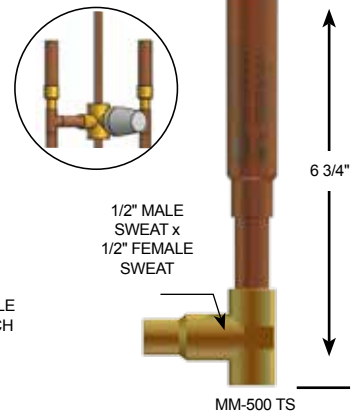


LEAD FREE

1/2" SWEAT MINI



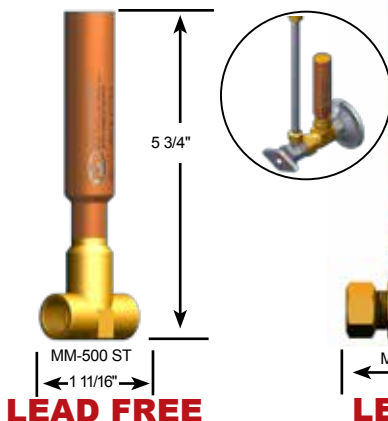
TUB & SHOWER MINI



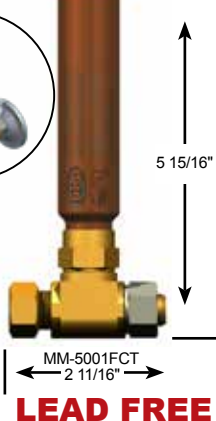
LEAD FREE

3/8" FEMALE COMP "T"

1/2" SWEAT "T"

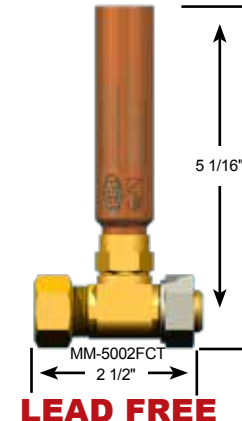


LEAD FREE



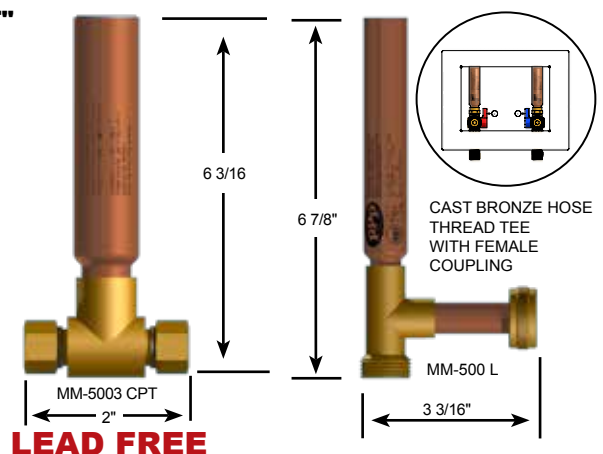
LEAD FREE

5/8" FEMALE COMP "T"

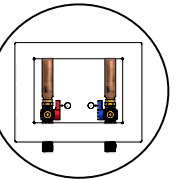


LEAD FREE

3/8" COMPRESSION "T" LAUNDRY MINI



LEAD FREE



CAST BRONZE HOSE
 THREAD TEE
 WITH FEMALE
 COUPLING

SPECIFICATIONS

MAINTENANCE: Maintenance free – the piston is the only moving part.

TEMPERATURE RANGE: -40°F to + 212°F (-4.4°C to + 100°C)

CONSTRUCTION: Barrel-fabricated of type “L” hard drawn copper.

Cap: Machined of free turning brass.

Piston: Polycarbonate Dow Calibre 2061-15 MFR.

Seals: “O”rings: EPDM.

Seal Lubricant: Dow-Corning Silicone Compound #111, FDA listed for use in potable water systems.

OPERATING PRESSURE: Designed to operate on all domestic and commercial systems. Normal operating pressure 35 to 125 PSIG. Max Spike pressure 250 PSIG.

LAUNDRY OR ICE MAKER WITH ARRESTORS



MM-500 PIMB
1/2" FEMALE SWEAT x 1/4" COMP.

1/2" FEMALE SWEAT x 1/4" COMP.

LEAD FREE
MM-500 MIMB

MM-500 PLBFR
1/2" FEMALE SWEAT x 3/4" HOSE

MM-500 PIMBFR
1/2" FEMALE SWEAT x 1/4" COMP.

LEAD FREE

MM-500 PLB
1/2" FEMALE SWEAT x 3/4" HOSE

MM-500 MLB
1/2" FEMALE SWEAT x 3/4" HOSE

| P/N | DESCRIPTION | DIMENSIONS: |
|---------------|------------------------------------|---------------------------------|
| MM-500 MIMB | METAL ICE MAKER BOX | 5-3/4"W x 5-1/4"H x 2-1/2"D |
| MM-500 MLB | METAL LAUNDRY BOX | 8-1/4"W x 6"H x 3-1/2"D |
| MM-500 PIMB | PLASTIC ICE MAKER BOX | 5-1/4"W x 5-1/4"H x 2-1/2"D |
| MM-500 PLB | PLASTIC LAUNDRY BOX | 7-3/4"W x 6-3/4"H x 3"D |
| MM-500 PIMBFR | PLASTIC ICE MAKER BOX (Fire Rated) | 3-7/8"W x 5-11/16"H x 2-13/16"D |
| MM-500 PLBFR | PLASTIC LAUNDRY BOX (Fire Rated) | 8-3/16"W x 7-1/16"H x 3-5/16"D |

Specify drain position when ordering laundry box assemblies.

PROJECT SUBMITTAL

Project: _____

Contractor: _____

Engineer: _____

Date Submitted: _____

Prepared By: _____



Precision Plumbing Products

Division of J.L. Industries, Inc.

802 SE 199th Ave
Portland, Oregon 97233

T (503) 256-4010
F (503) 253-8165
www.pppinc.net



Recommended by the Ohio Plumbing Advisory Board



Patent No 3,633,627



Approved by the Wisconsin Department of Industry Labor and Human Relations