



Precision Plumbing Products
"Specify with Confidence - Install with Pride"

METAL OR PLASTIC LAUNDRY BOXES WITH WATER HAMMER ARRESTORS

www.pppinc.net

Precision Plumbing Products has designed a plastic/metal laundry box assembly that makes your installation simple and cost effective. Solenoid operated laundry equipment can create destructive water hammer due to quick closing valves on the fill cycle. Water hammer can damage or even break your hose connections as well as destroy the solenoid valve. To avoid this common household problem hook your washing machine hose connectors to the quarter turn ball valve in our laundry box assembly with water hammer arrestors and rest easy.



Plastic Laundry Box
MM-500PLB



Metal Laundry Box
MM-500MLB



Precision Plumbing Products

Division of JL Industries, Inc.

802 SE 199th Ave
 Portland, Oregon 97233
 T (503) 256-4010
 F (503) 253-8165
www.pppinc.net



Made in the USA.
 We do not export labor.





Precision Plumbing Products

“Specify with Confidence - Install with Pride”

METAL OR PLASTIC LAUNDRY BOXES WITH WATER HAMMER ARRESTORS

www.pppinc.net

Project: _____

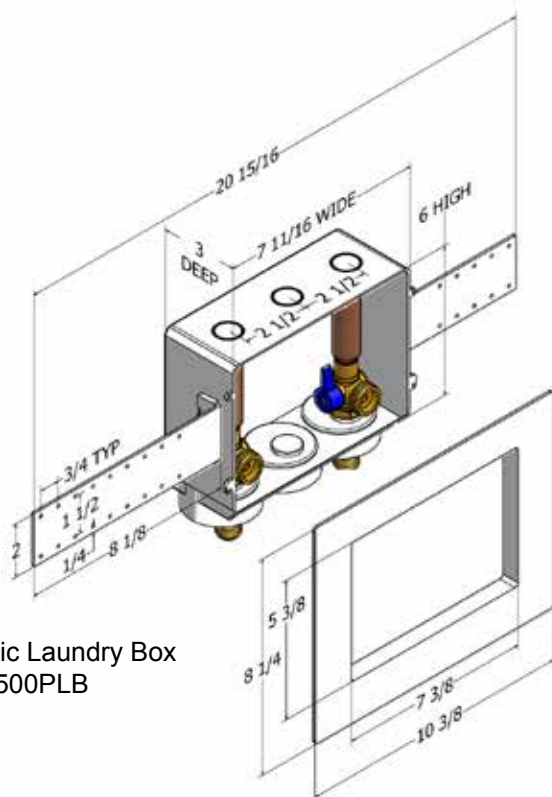
Contractor: _____

Engineer: _____

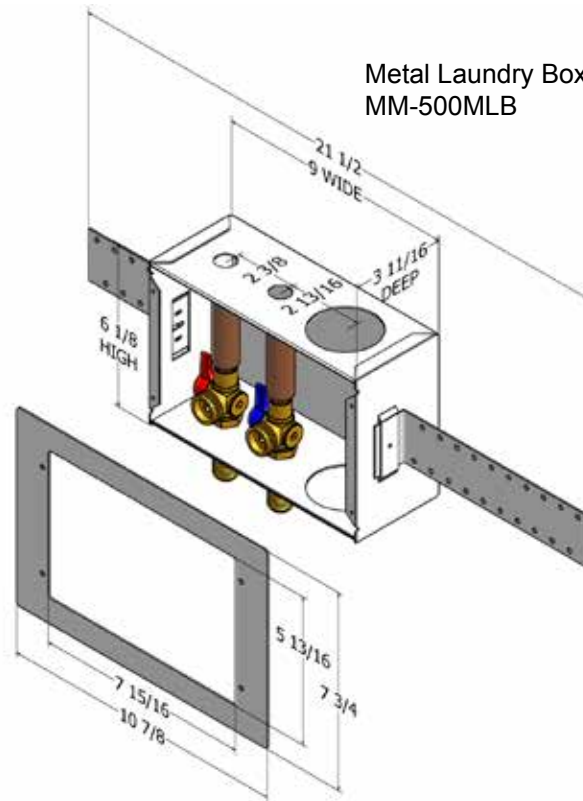
Date Submitted: _____

Prepared By: _____

Boxes are supplied with water hammer arrestors and quarter turn valves. Boxes include necessary mounting brackets and faceplate. Plastic boxes are molded from high impact polystyrene and include a 2” female outlet for drain connection. Metal boxes include a 2” rubber drain pipe coupling and are constructed of 20 gauge steel with a white powder coat. (Note: Box dimensions may vary slightly from drawings).



Plastic Laundry Box
MM-500PLB



Metal Laundry Box
MM-500MLB



JL Industries, Inc.

Precision Plumbing Products

Division of JL Industries, Inc.

802 SE 199th Ave
Portland, Oregon 97233
T (503) 256-4010
F (503) 253-8165
www.pppinc.net

